



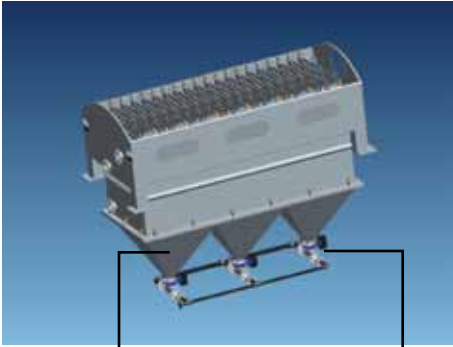
# GEKKO EWC

## ELECTROWINNING

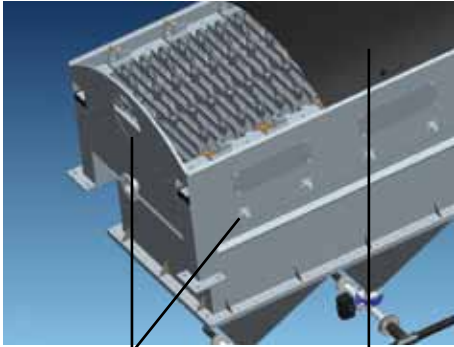
### TECHNICAL SPECIFICATIONS

	UNITS	MODEL
		<b>EWC1000</b>
Length	mm	3136
Height	mm	2530
Width	mm	1506
Maximum feed rate	m <sup>3</sup> /Hr	5 - 30
Supply voltage	V	3 phase
Output voltage	V DC	0 - 10
Output current	A	max 3500
Current density	A/M <sup>2</sup>	0 - 50
Mass	Kg	2173
Total sanded mass	Kg	7581
Cathode dimensions	mm	1000 x 1000
Wool type		AS316 stainless steel
Steel wool wire diameter	um	150
# Cathodes		19
# Anodes		20
Wool surface area	m <sup>2</sup> /g	0.00325
Wool required for entire cell	Kg	70
Wool surface area for entire cell	m <sup>2</sup>	2275
Maximum ambient temperature	Degrees Celcius	50
In cell sludge storage capacity	Litres	600
Electrode cleaning frequency		daily
Lifting requirements	Kg	1000
Ventilation required		yes

# GEKKO EWC CROSS SECTION



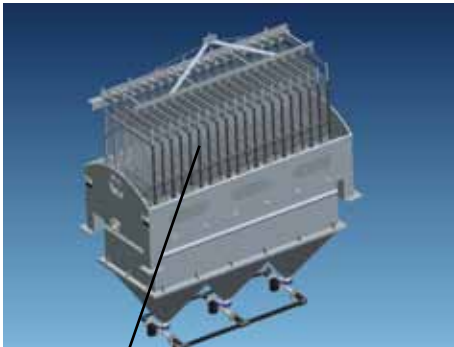
Sludge launders / eductor system      Remote controlled valves



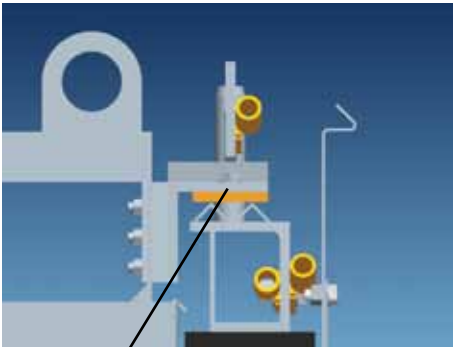
Ventilation flow      Smart cover for fast removal



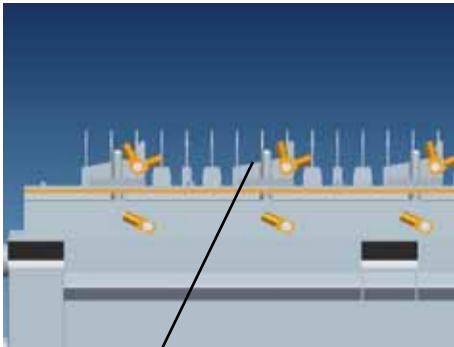
Cathodes



Anodes



Distributed input power along copper bus for minimising voltage drop and heat generation



Simple taper wedge locking system for fast removal and critical power connection